

# KINGSPAN LIGHT & AIR FENESTRATION

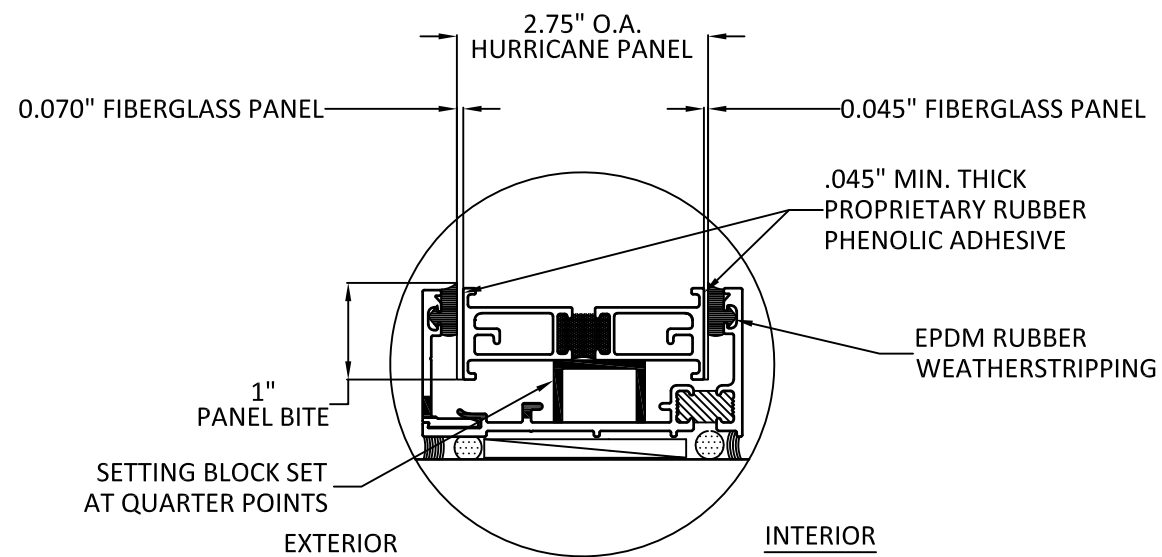
## UNIGRID® FIBERGLASS WALL TB/NON-TB (NON-HVHZ) (IMPACT)

### GENERAL NOTES:

- THE PRODUCT SHOWN HEREIN IS DESIGNED AND MANUFACTURED TO COMPLY WITH THE CURRENT EDITION FLORIDA BUILDING CODE (FBC), **EXCLUDING** HVHZ, AND HAS BEEN EVALUATED ACCORDING TO THE FOLLOWING:
  - ASTM E283-04(12)
  - ASTM E331-00(16)
  - ASTM E330-14
  - ASTM E1886-13a
  - ASTM E1996-14a
- ADEQUACY OF THE EXISTING STRUCTURAL METAL FRAMING AS A MAIN WIND FORCE RESISTING SYSTEM CAPABLE OF WITHSTANDING AND TRANSFERRING APPLIED PRODUCT LOADS TO THE FOUNDATION IS THE RESPONSABILITY OF THE ENGINEER OR ARCHITECT OF RECORD FOR THE PROJECT OF INSTALLATION.
- APPROVED IMPACT PROTECTIVE SYSTEM **IS NOT REQUIRED** TO PROTECT THIS PRODUCT IN AREAS REQUIRING IMPACT RESISTANCE WZ3 OR LESS.
- APPROVED IMPACT PROTECTIVE SYSTEM **IS REQUIRED** TO PROTECT THIS PRODUCT IN AREAS REQUIRING IMPACT RESISTANCE WZ4.
- MAX. DESIGN PRESSURE APPLIES TO ASSEMBLIES SUCH THAT PURLIN SPACING AND PANEL UNSUPPORTED DISTANCE ARE NOT EXCEEDED AS SHOWN HEREIN.
- STRUCTURAL ADEQUACY OF SUPPORTING SUBSTRUCTURE IS NOT PART OF THIS APPROVAL AND SHALL BE REVIEWED BY THE AUTHORITY HAVING JURISDICTION.
- STRUCTURAL ADEQUACY OF SUPPORTING SUBSTRUCTURE IS NOT PART OF THIS APPROVAL AND SHALL BE REVIEWED BY THE AUTHORITY HAVING JURISDICTION.
- ALL ALUMINUM PARTS ARE 6063-T6 ALLOY.
- DISSIMILAR MATERIAL IN CONTACT SHALL MEET FBC REQUIREMENTS.

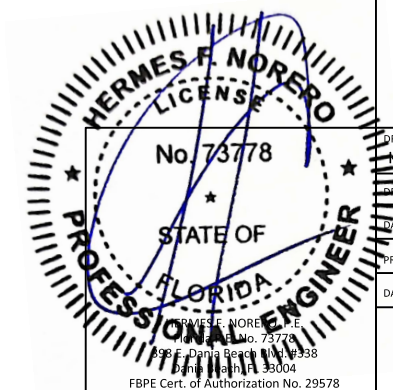
DESIGN PRESSURE	
ASTM E330	DESIGNED RATING: ±65 PSF TESTED LOAD: ±97.5 PSF
ASTM E1886 & E1996	MISSILE LEVEL D CYCLIC PRESSURE: ±65 PSF
ASTM 283	±6.24 PSF - 0.04 CFM/FT <sup>2</sup>
ASTM 331	+ 15 PSF
DEADLOAD	3 PSF

TABLE OF CONTENTS	
1	GENERAL NOTES
2	CONFIGURATION
3	DETAILS 1, 2 AND 3
4	MULLION CONNECTIONS]
5	ANCHORS
6	COMPONENTS



**PANEL DETAIL**

PANEL CONFIGURATION:  
 EXTERIOR SURFACE: 0.070" FIBERGLASS PANEL  
 INTERIOR SURFACE: 0.045" FIBERGLASS PANEL  
 NOMINAL GRID SIZE: 12" X 20"  
 MAXIMUM 1279 SPAN: 60"



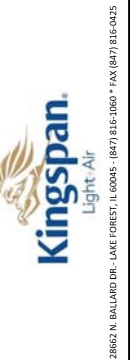
REV.	DESCRIPTION	DATE

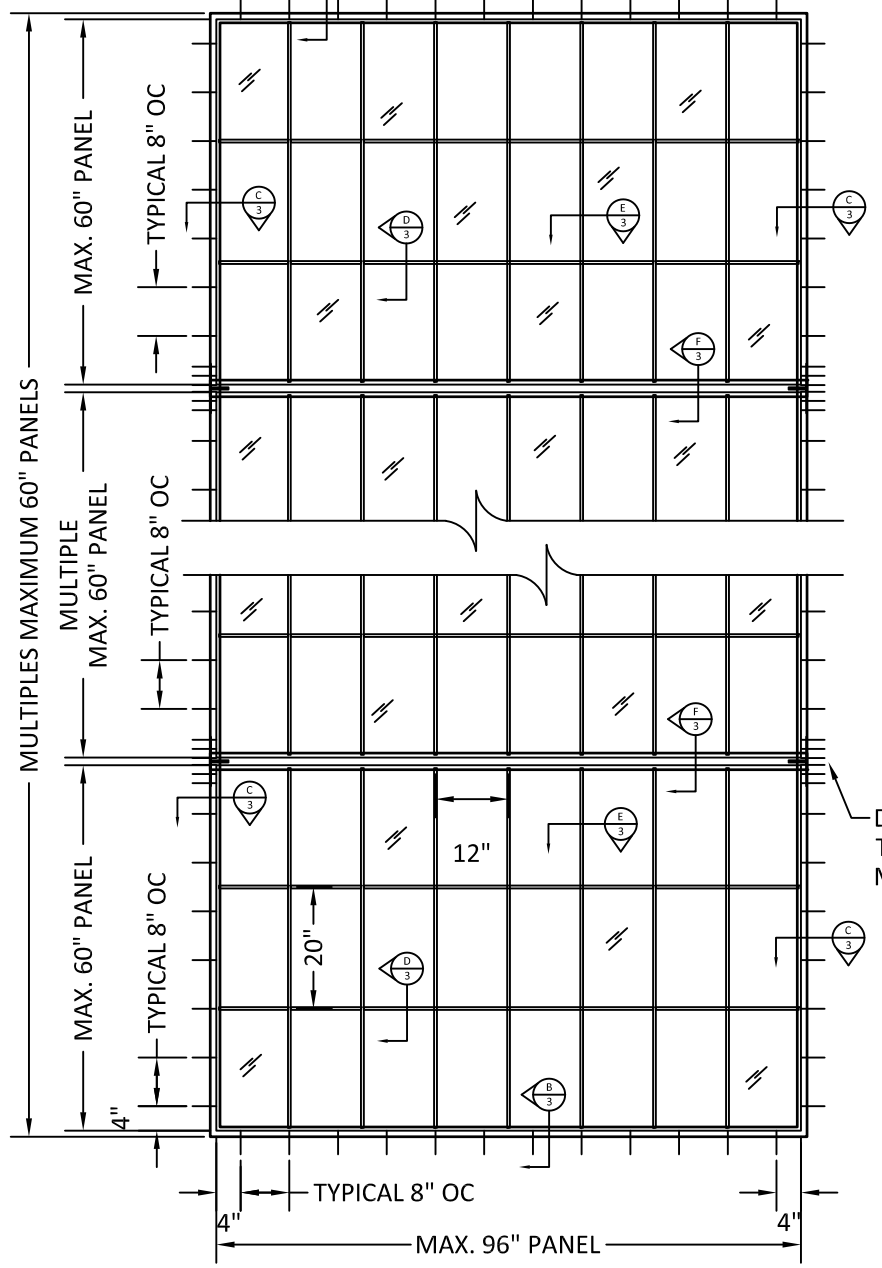
PROJECT:	UNIGRID® FIBERGLASS WALL TB/NON-TB (NON-HVHZ) (IMPACT)
ARCHITECT:	
CUSTOMER:	
CONTRACTOR:	
PHONE #:	
PHONE #:	
PHONE #:	

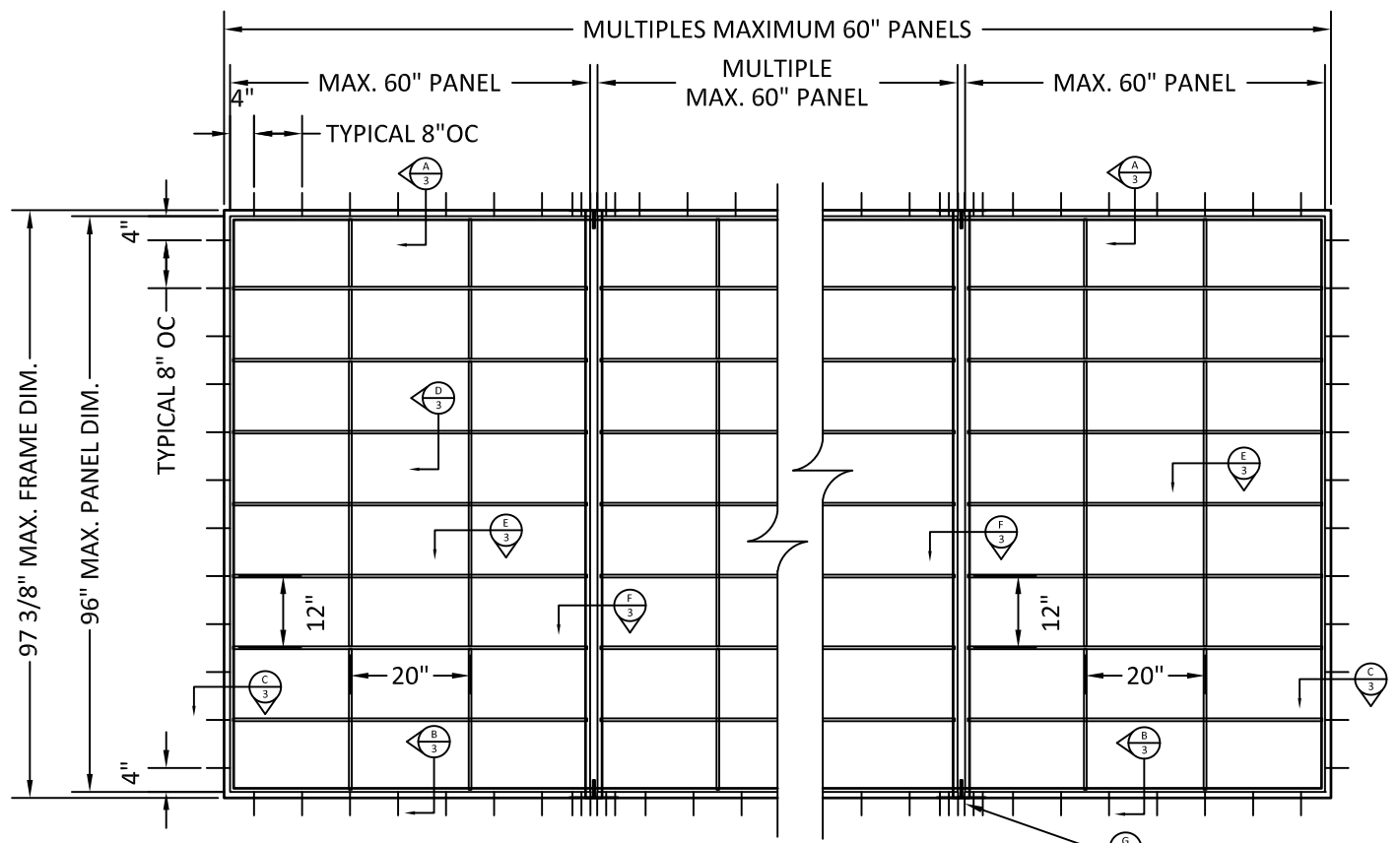
DRAWING NO.:	KLA010
DRAWN BY:	DKI
DATE:	07/10/23
PROJECT MGR:	
DATE:	
SHEET NO.:	1 OF 6



TYPICAL CONFIGURATIONS

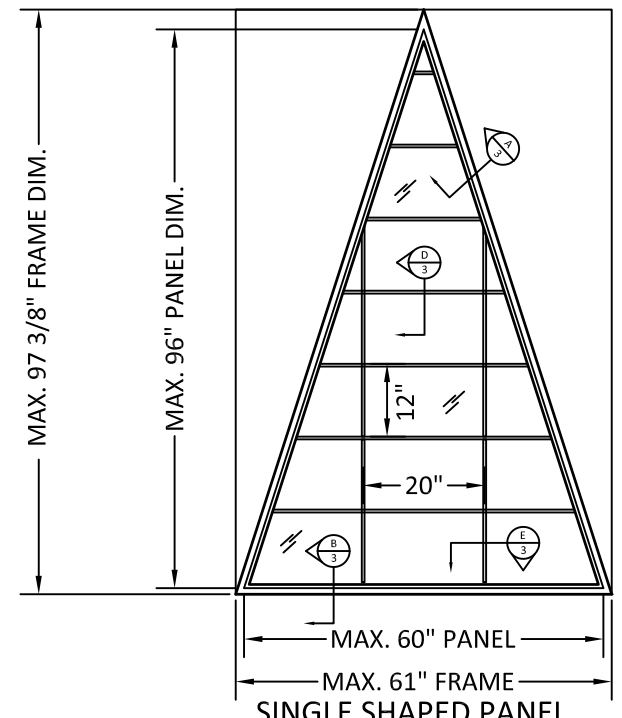


MULTIPLE VERTICAL STACK PANELS

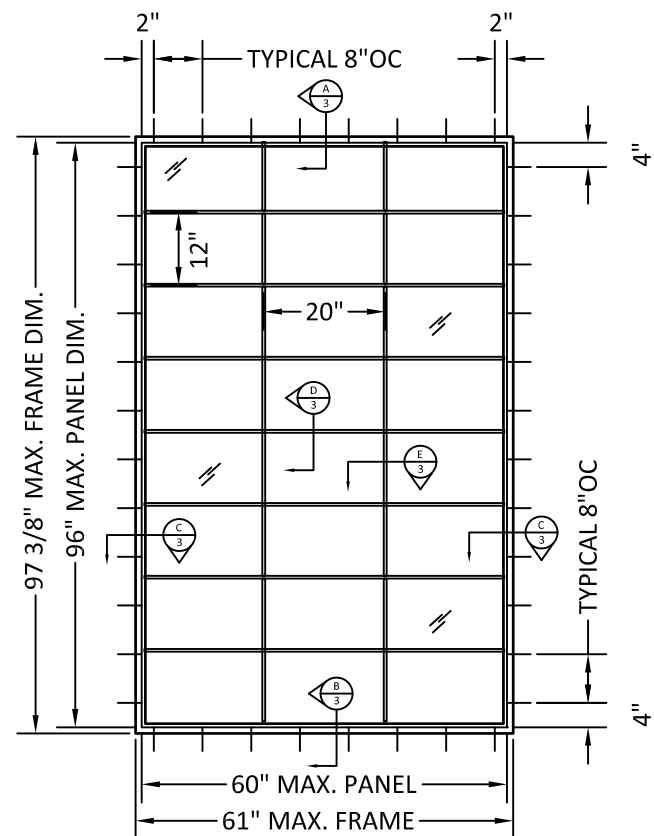


MULTIPLE HORIZONTAL STACK PANELS

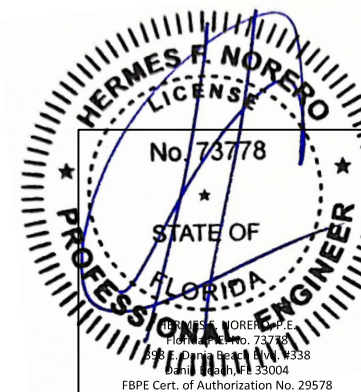
DETAIL 4  
TYPICAL INTERMEDIATE  
MULL CONNECTION



SINGLE SHAPED PANEL  
ACCEPTABLE FOR ANY SHAPE THAT  
FITS THE MAXIMUM 60" X 96" MODULE

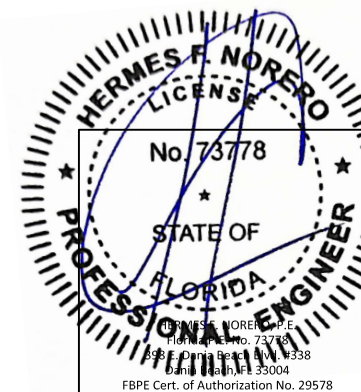
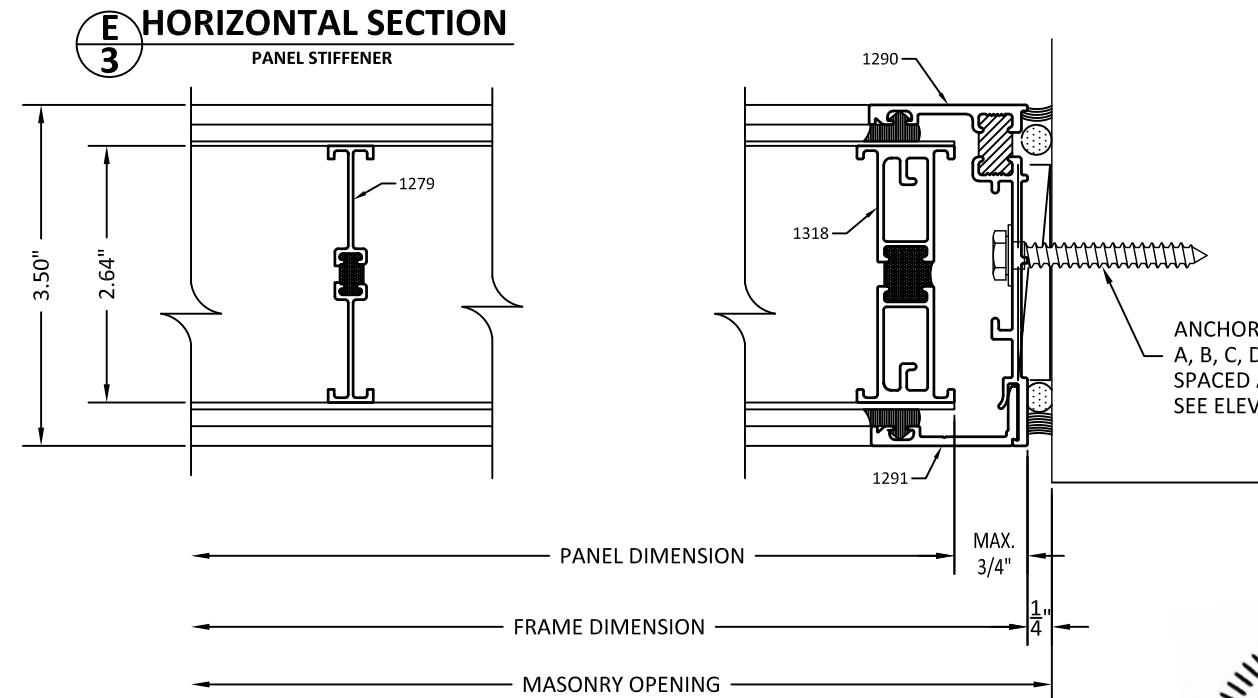
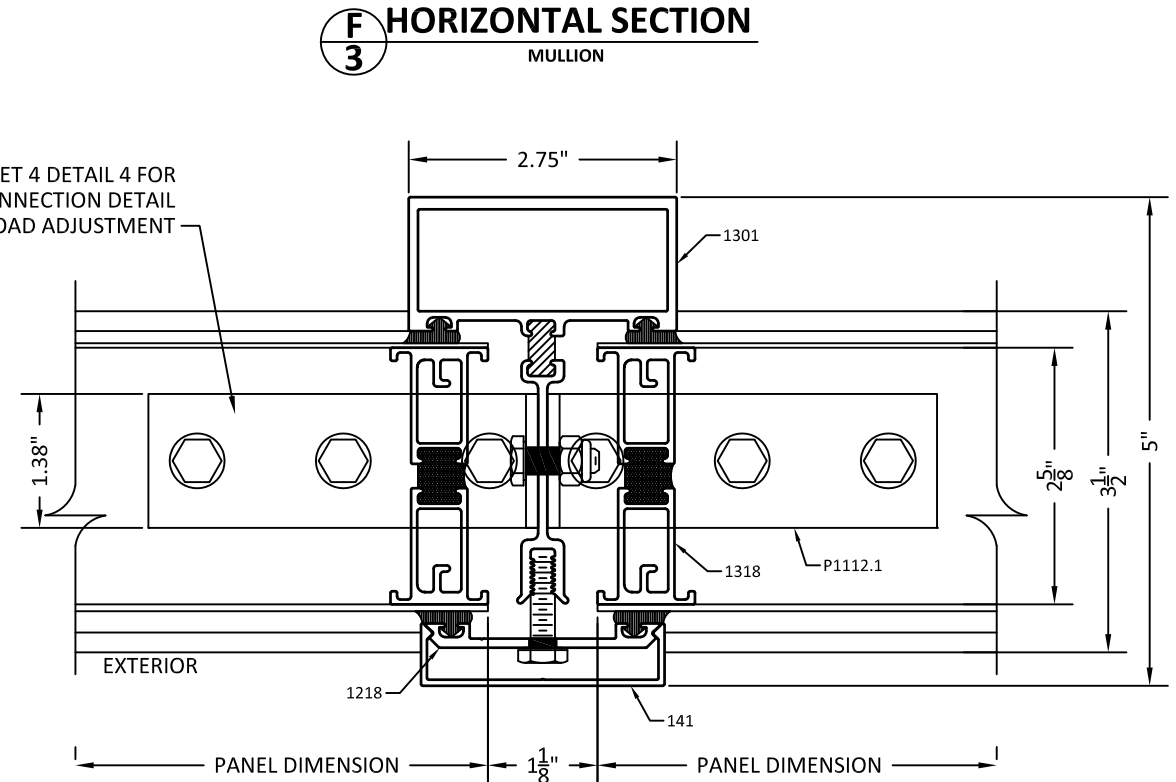
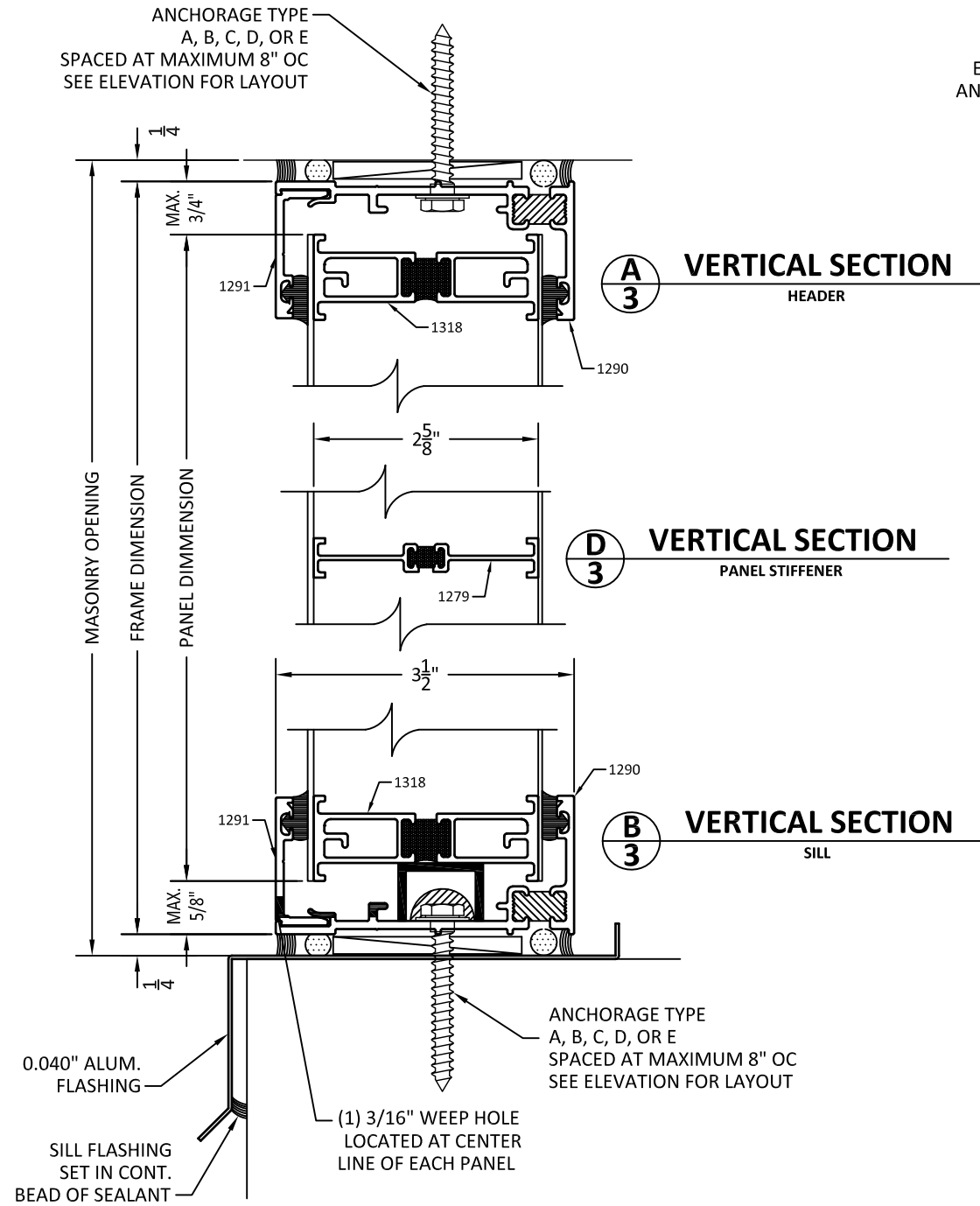


SINGLE PANEL



DATE	
DESCRIPTION	
REV.	
28652 N. BALLARD DR. - LAKE FOREST, IL 60045 - (847) 816-1060 • FAX (847) 816-0425	
PROJECT:	UNIGRID® FIBERGLASS WALL TB/NON-TB (NON-HVHZ) (IMPACT)
ARCHITECT:	
CUSTOMER:	
CONTRACTOR:	
DRAWING NO.	KLA010
DRAWN BY	DER
DATE	07/10/23
PROJECT MGR	
DATE	
SHEET NO.	2 OF 6

DETAILS

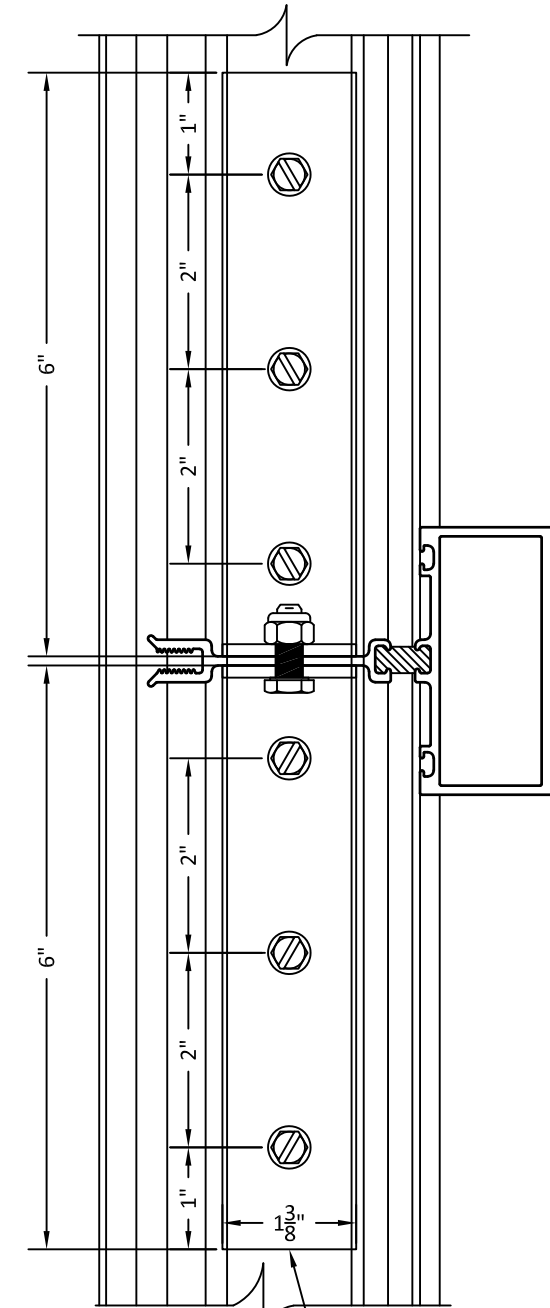
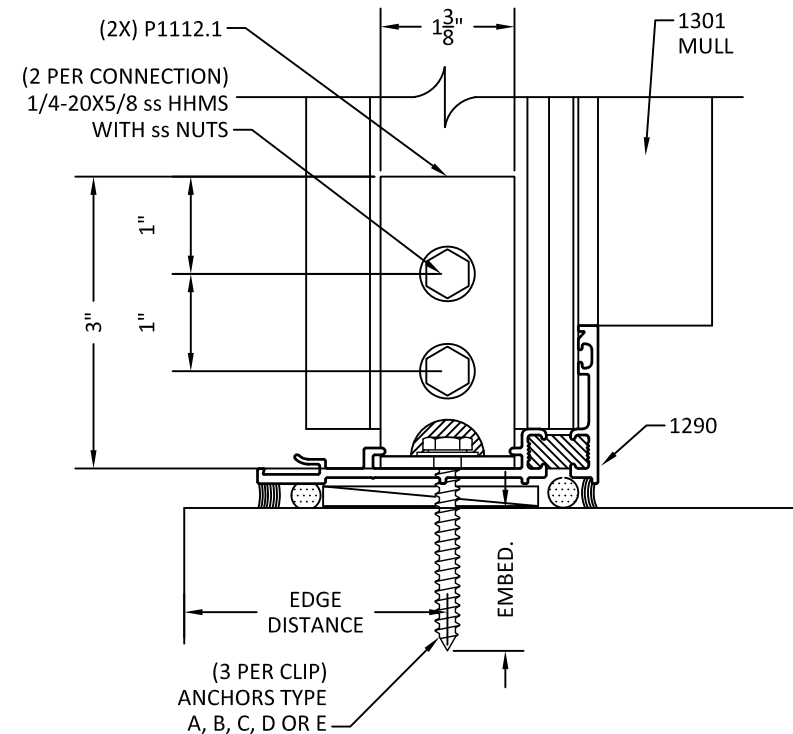
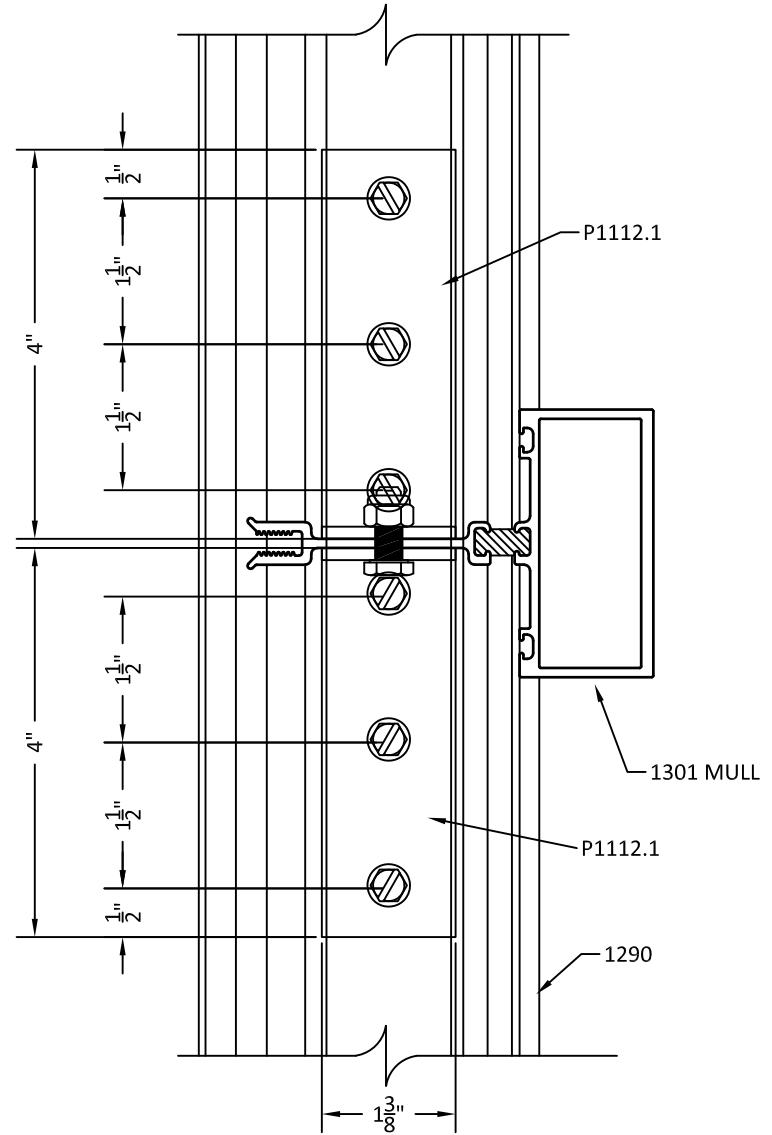
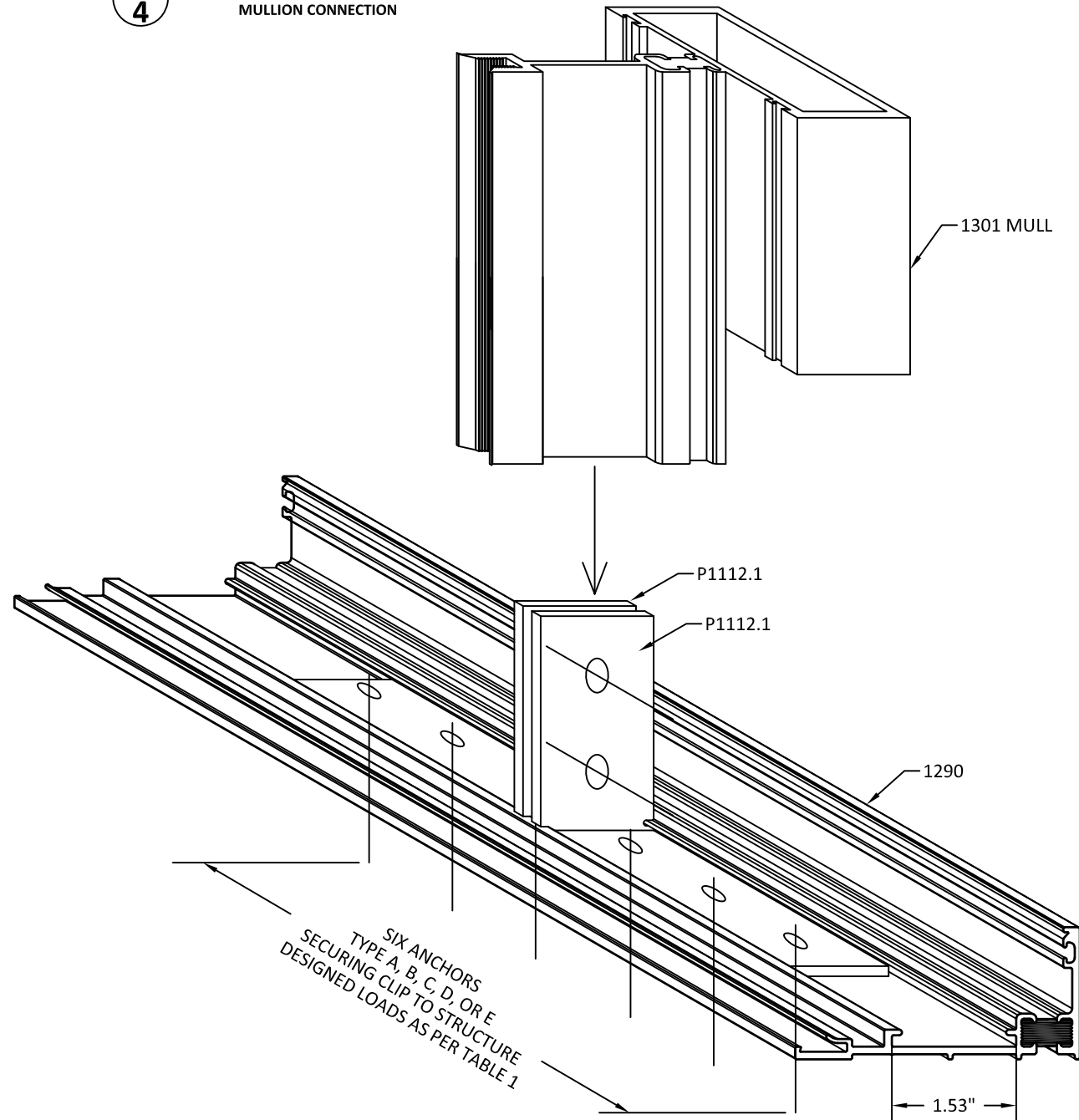


DATE	
DESCRIPTION	
REV.	
<p>28652 N. BALLARD DR. LAKE FOREST, IL 60045 • (847) 816-1000 • FAX (847) 816-0425</p>	
PROJECT:	UNIGRID® FIBERGLASS WALL TB/NON-TB (NON-HVHZ) (IMPACT)
ARCHITECT:	WALL APPLICATION
CUSTOMER:	
CONTRACTOR:	
DRAWING NO.	13LA010
DATE	07/10/23
PROJECT MGR	
DATE	
SHEET NO.	3 OF 6

**G**  
**4**

**DETAIL**  
**MULLION CONNECTION**

**DETAILS**



1/8-3X6 ANGLE  
REQUIRED FOR  
INSTALLATION  
DIRECTLY INTO  
CONCRETE OR  
MASONRY

**HERMES F. NORERO**  
LICENSE  
No. 73778  
STATE OF  
FLORIDA  
PROFESSIONAL ENGINEER

FBPE Cert. of Authorization No. 29578

TABLE 1 - MULLION ADJUSTED PRESSURES (PSF) DUE TO ANCHORAGE TYPE

ANCHOR TYPE	PANEL MODULES												HEIGHT	WIDTH
	96			84			72			60				
A	65	48	36	65	48	36	65	48	36	65	48	36	65	65
B	65	65	65	65	65	65	65	65	65	65	65	65	65	65
C	65	65	65	65	65	65	65	65	65	65	65	65	65	65
D	65	65	65	65	65	65	65	65	65	65	65	65	65	65
E	53	60	65	65	65	65	65	65	65	65	65	65	65	65

SEE SHEET 5 FOR ANCHOR TYPE DEFINITION

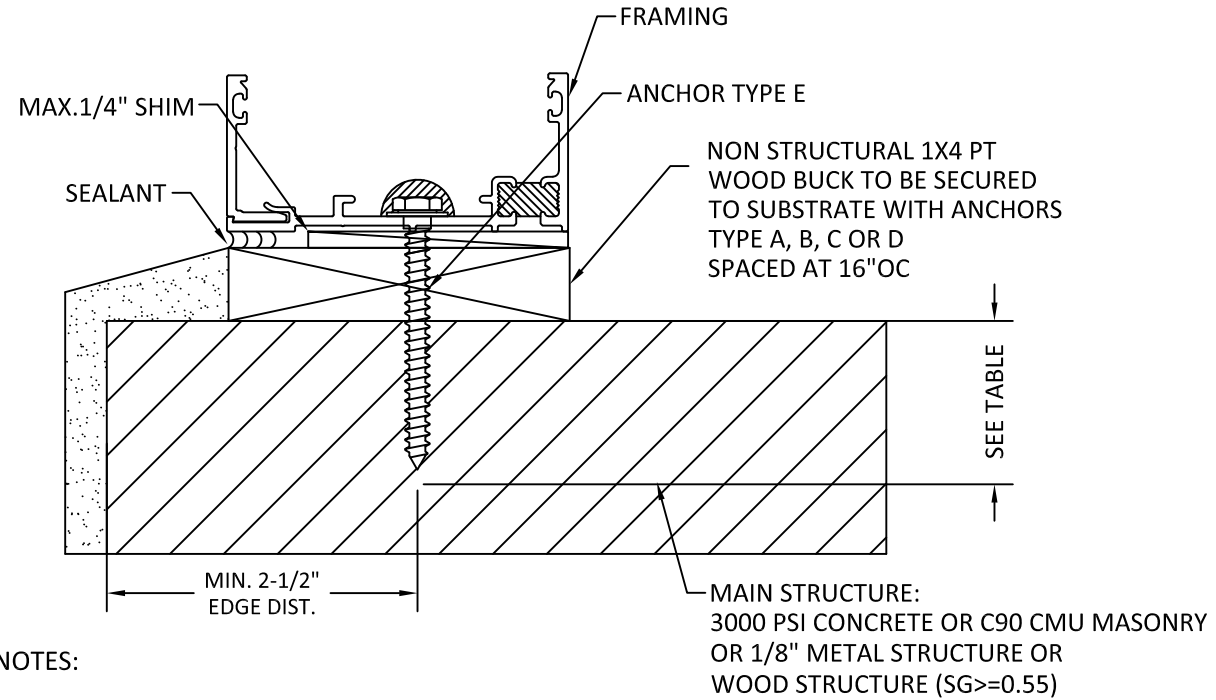
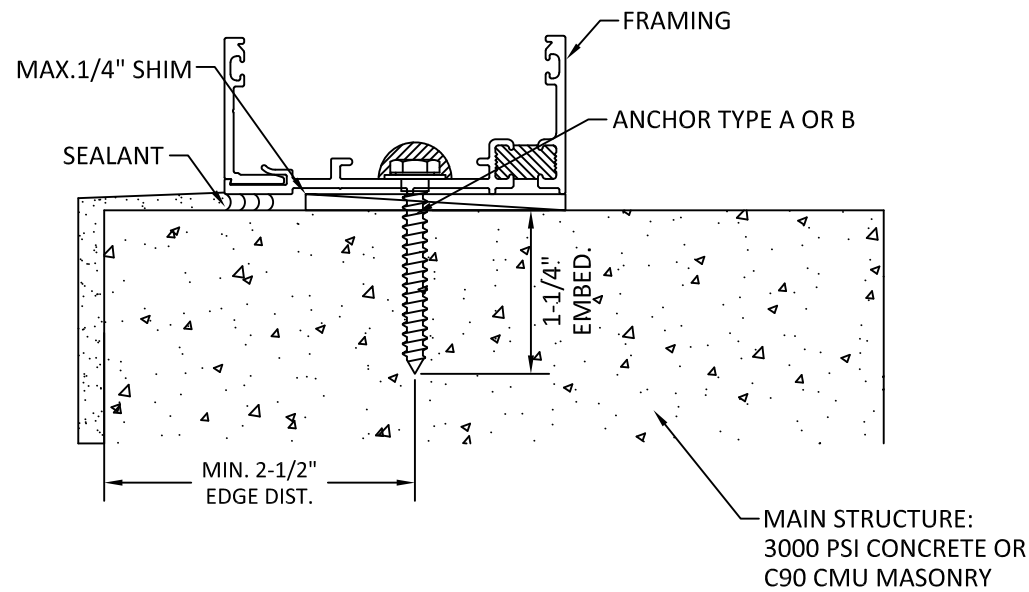
**Kingspan**  
Light Air  
2862 N. BALLARD DR. LAKE FOREST, IL 60045 • (847) 816-0900 • FAX (847) 816-0425

PROJECT: UNIGRID® FIBERGLASS WALL TB/NON-TB (NON-HVHZ) (IMPACT)  
ARCHITECT: \_\_\_\_\_  
CUSTOMER: \_\_\_\_\_  
CONTRACTOR: \_\_\_\_\_

WALL APPLICATION

DRAWING NO. KLA010  
DATE 07/10/23  
PROJECT MGR  
DATE  
SHEET NO. 4 OF 6

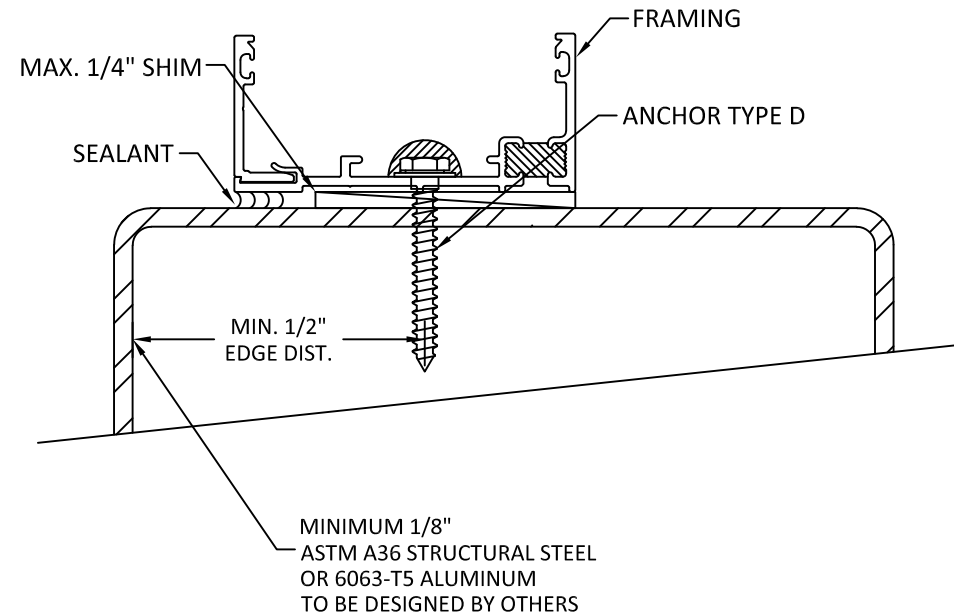
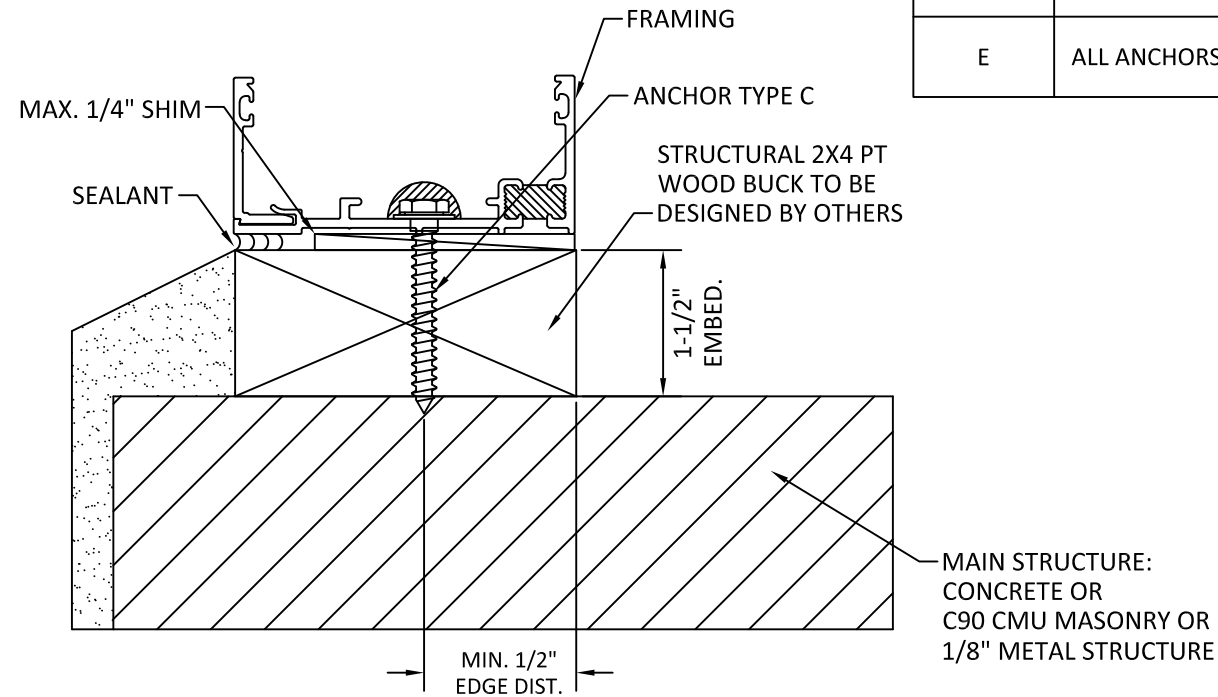
# FRAMING ANCHORAGE




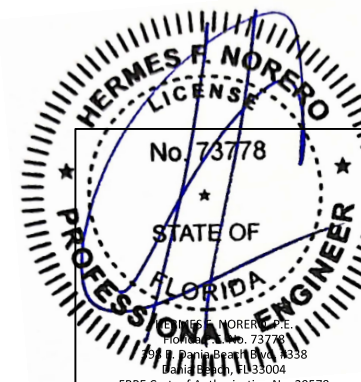
### ANCHORAGE NOTES:

- 1- SILL, JAMB AND HEADER WITH TYPE A, B, C, D OR E ANCHORAGE OPTIONS.
- 2- SEE ELEVATIONS FOR WINDOW ANCHORAGE LAY-OUT AND SPACING.

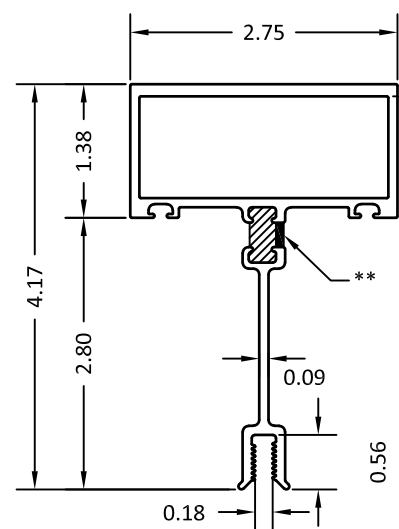
ANCHOR OPTIONS		
A	1/4" SS ITW TAPCON	1-1/4" EMBED. INTO 3000 PSI CONCRETE
B	1/4" SS ITW TAPCON	1-1/4" EMBED. INTO MASONRY
C	1/4" SS ITW TAPCON OR 1/4" SS SMS	1-1/2" EMBED. INTO MIN. 2X WOOD BUCK
D	1/4" SS SMS	3 THREADS PAST MIN. 1/8" METAL (6063-T5 ALUM. OR ASTM A36 STEEL)
E	ALL ANCHORS ABOVE	INSTALLED THROUGH 1X WOOD BUCK INTO MAIN STRUCTURE



DATE	
DESCRIPTION	
REV.	
	
2862 N. BALLARD DR. LAKE FOREST, IL 60045 • (847) 845-1000 • FAX (847) 845-0425	
PROJECT:	UNIGRID® FIBERGLASS WALL TB/NON-TB (NON-HVHZ) (IMPACT)
ARCHITECT:	WALL APPLICATION
CUSTOMER:	
CONTRACTOR:	
DRAWING NO.:	ALA010
DATE:	07/10/23
SHEET NO.:	5 OF 6

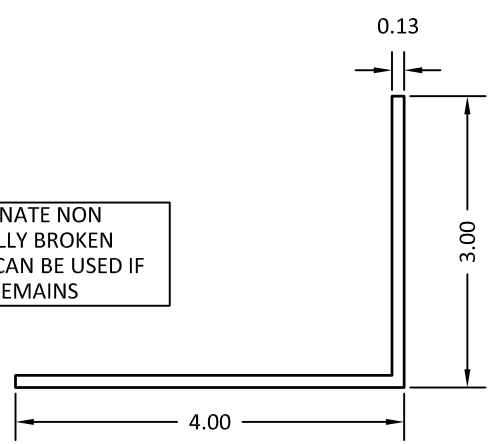


**FRAMING COMPONENTS**

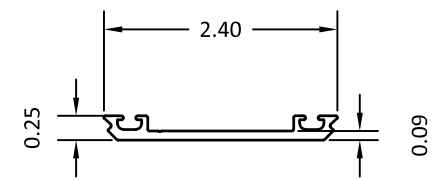


**1301 MULLION**  
6063-T6 ALUMINUM ALLOY

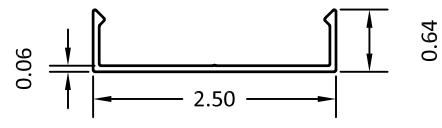
\*\* ALTERNATE NON THERMALLY BROKEN SYSTEM CAN BE USED IF BRIDGE REMAINS



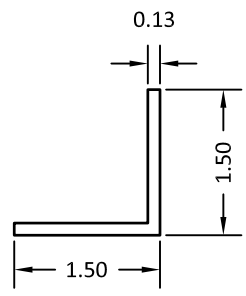
**P 1112.1 CORNER MULLION CLIP**  
6063-T6 ALUMINUM ALLOY  
1-3/8" LONG



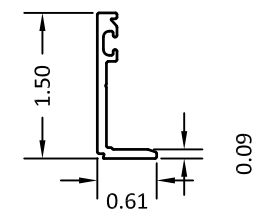
**1218 MULLION PRESSURE BAR**  
6063-T6 ALUMINUM ALLOY



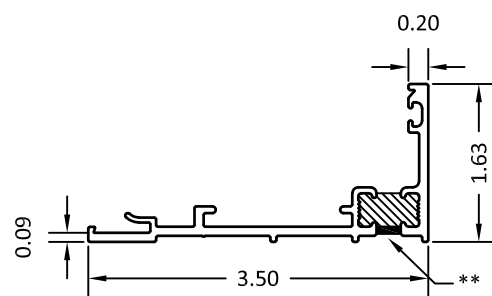
**141 MULLION DRESSING CAP**  
6063-T6 ALUMINUM ALLOY



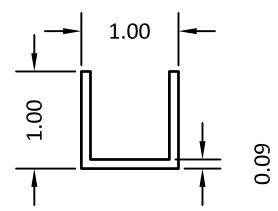
**P1108 FRAMING CORNER KEY**  
6063-T6 ALUMINUM ALLOY  
1.5" LONG



**1291 SNAP PANEL STOP**  
6063-T6 ALUMINUM ALLOY

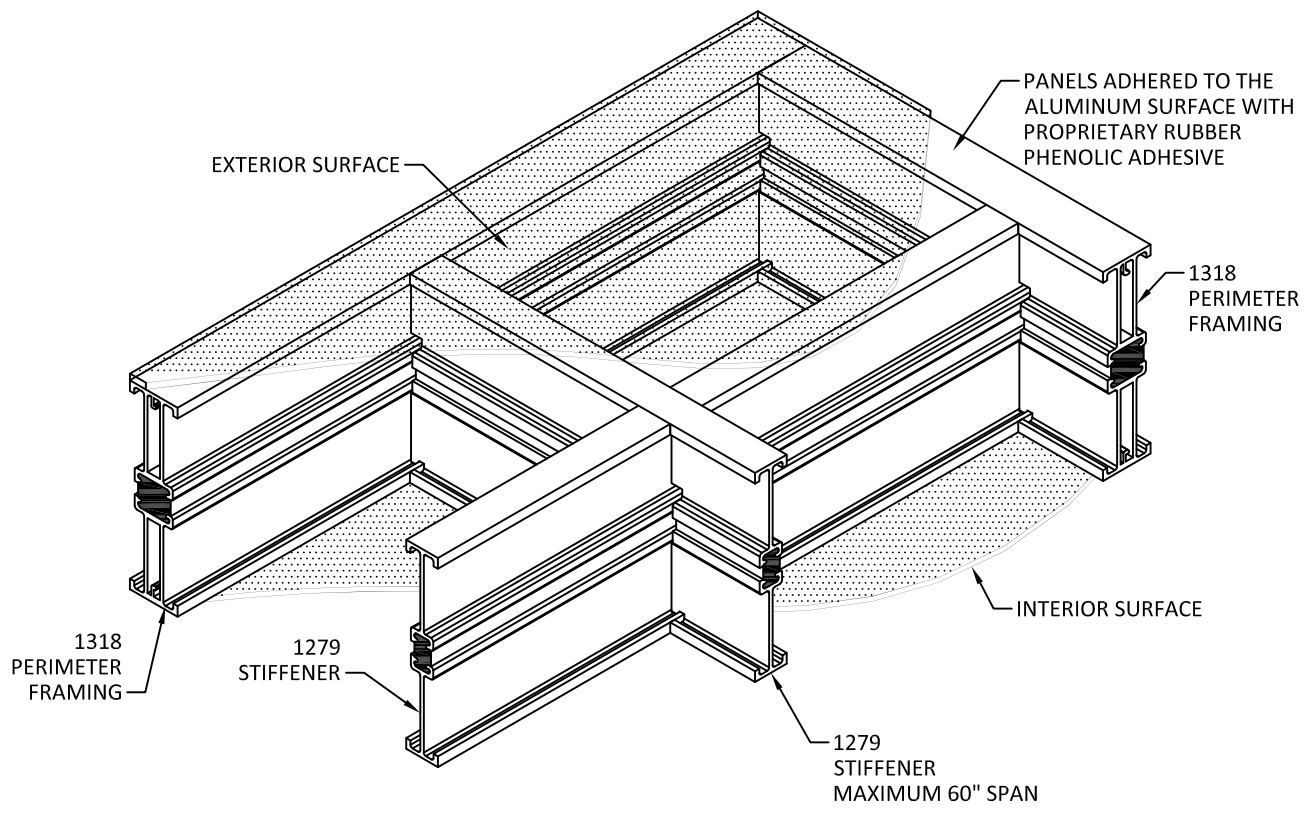


**1290 PERIMETER FRAMING**  
6063-T6 ALUMINUM ALLOY



**1052 PANEL STOP**  
VINYL SETTING BLOCK

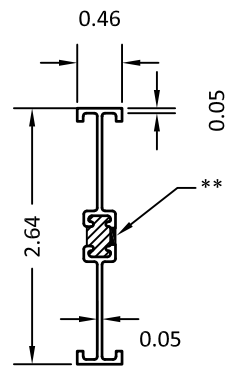
**PANEL COMPONENTS**



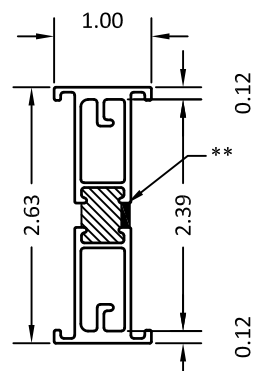
**BASIC MODULAR PANEL ASSEMBLY**

**PANEL CONFIGURATION:**  
EXTERIOR SURFACE: 0.070" FIBERGLASS PANEL  
INTERIOR SURFACE: 0.045" FIBERGLASS PANEL  
NOMINAL GRID SIZE: 12" X 20"  
MAXIMUM 1279 SPAN: 60"

\*\* ALTERNATE NON THERMALLY BROKEN SYSTEM CAN BE USED IF BRIDGE REMAINS



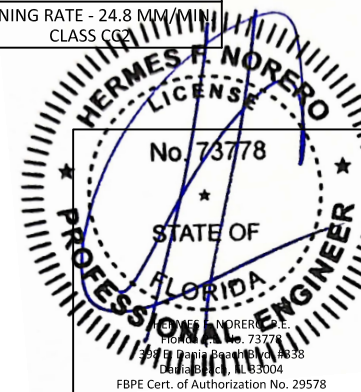
**1279 STIFFENER I BEAM**  
6005-T5 ALUMINUM ALLOY




**1318 PERIMETER I BEAM**  
6005-T5 ALUMINUM ALLOY

INTERIOR SURFACE PANEL	
0.045 FRCW STANDARD FIRE RATED TRANSLUCENT FIBERGLASS SHEET	
ASTM E84	FLAME SPREAD INDEX - 20 SMOKE DEVELOPED INDEX - 150 (≤450 FBC 2606.4)
ASTM D1929	SELF IGNITION - 912 °F (>650 FBC 2606.4) FLASH IGNITION - 872 °F
ASTM D635	CLASS CC1

EXTERIOR SURFACE PANEL	
0.070 STCWW ULTIMATE SERIES HIGH IMPACT TRANSLUCENT FIBERGLASS SHEET	
ASTM E84	FLAME SPREAD INDEX - 170 SMOKE DEVELOPED INDEX - 350 (≤450 FBC 2606.4)
ASTM D1929	SELF IGNITION - 860 °F (>650 FBC 2606.4) FLASH IGNITION - 752 °F
ASTM D635	BURNING RATE - 24.8 MM/MIN CLASS CG1



DATE	
DESCRIPTION	
REV.	
 2862 N. BALDARD DR. LAKE FOREST, IL 60045 • (817) 816-1000 • FAX (817) 816-0425	
PROJECT:	UNIGRID® FIBERGLASS WALL TB/NON-TB (NON-HVHZ) (IMPACT)
ARCHITECT:	WALL APPLICATION
CUSTOMER:	
CONTRACTOR:	
DRAWING NO.:	LA010
DATE:	07/10/23
SHEET NO.:	6 OF 6